
Air Handling Unit (AHU)

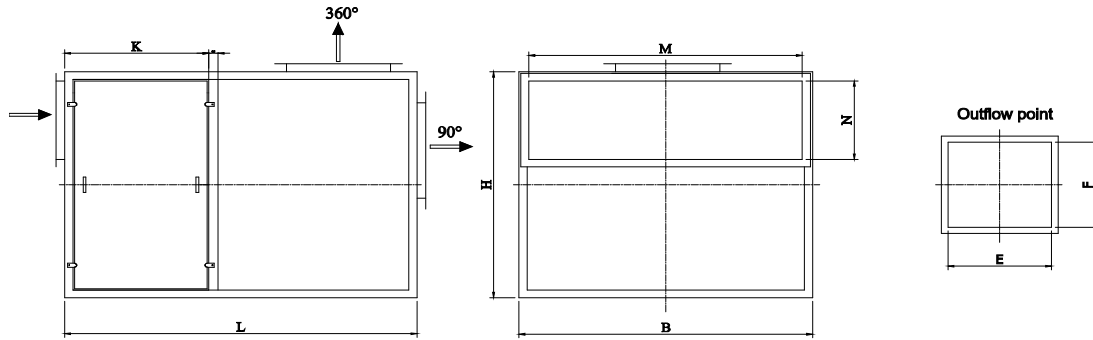
Series AT

(Forward Curved)

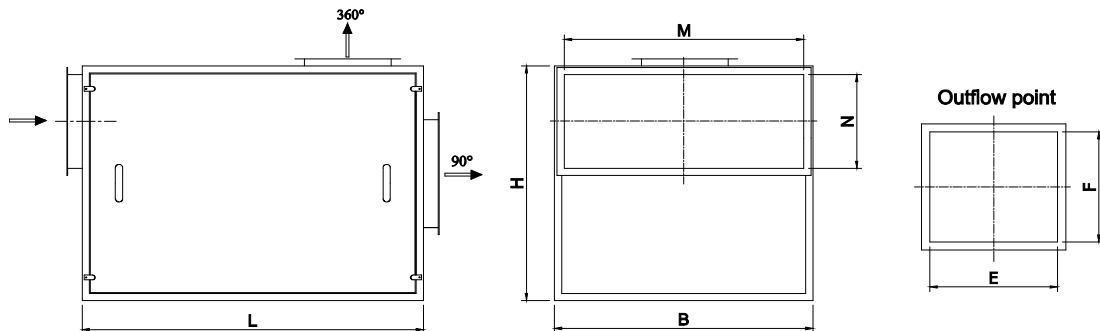


İNCİRCİOĞLU
VANTİLATÖR, KLİMA İMALAT SAN. VE TİC. LTD. ŞTİ.

Series AT Dimension Table



TYPE	Outflow Point ExF	Suction Point MxN	Inspection Door K (mm)	Width (B) mm	Length (L)		Height (H) mm	
					for 90°	for 360°	for 90°	for 360°
7 x 7	232 x 208	470 x 200		530	700	700	530	530
9 x 9	300 x 262	540 x 250		600	800	800	600	600
10 x 10	332 x 290	590 x 300		650	850	850	650	650
12 x 12	396 x 340	690 x 350		750	950	950	750	750
15 x 15	472 x 404	820 x 400		900	1100	1100	900	900



TYPE	Outflow Point ExF	Suction Point MxN	Inspection Door K (mm)	Width (B) mm	Length (L)		Height (H) mm	
					for 90°	for 360°	for 90°	for 360°
18 x 18	558 x 478	1020 x 500	520	1100	1250	1250	1000	900

*The dimensions and technical data can be changed without notice.

Features

- * Italian Nicotra Fans are used in our AHU ventilators
- * Ahu units' framework is made out of aluminum and panels are made out of galvanize plated stainless steel.
- * AHU panels are produced as single hull.
- * Panels are isolated with acoustic sponge.
- * Ventilator and motor cradles are mounted to unit with isolators. This blocks vibration and noises to be transmitted to the unit's body.
- * Maintenance panels are produced with handles and mounted type.

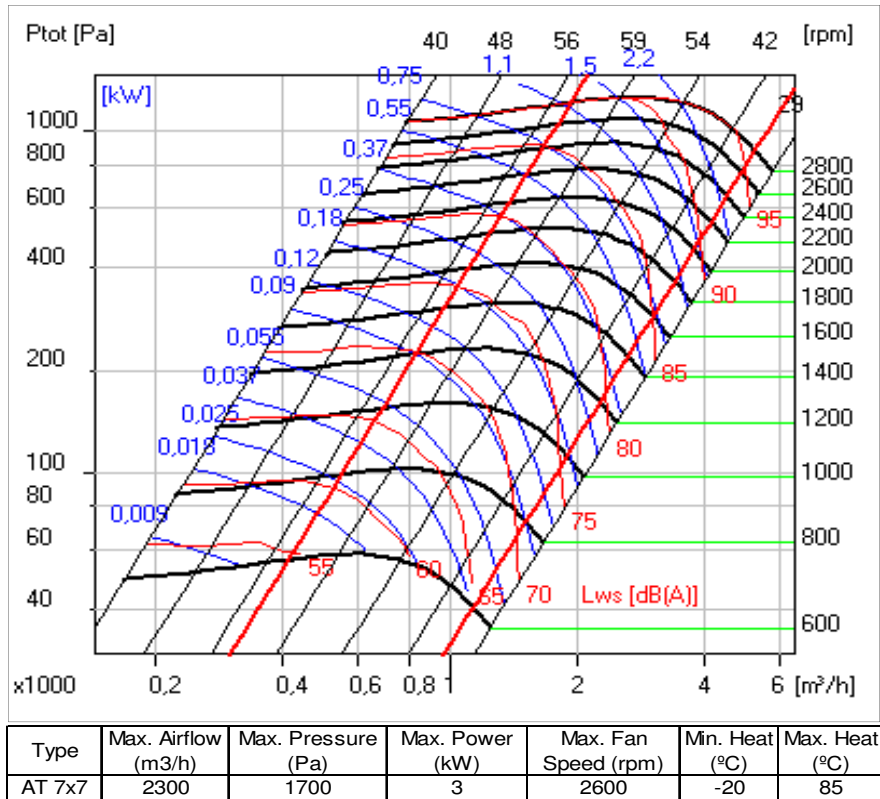
Special Features

If requested,

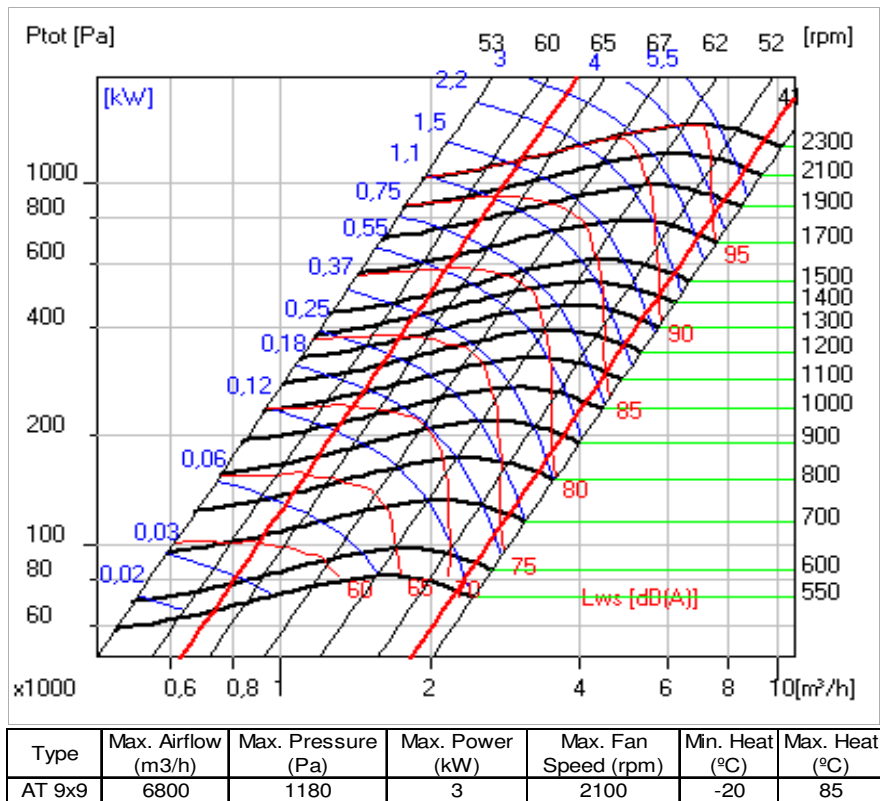
- * AHU panels can be produced with double hull and gasket.
- * Outer Panels can either be painted, electrostatic oven painted or PVC plated galvanized steel sheet.
- * Panels can be isolated by glass wool or rock wool.
- * Maintenance panels can be produced with hinges.
- * Please contact us for other types of requests.

Series AT Performance Data

AT 7x7

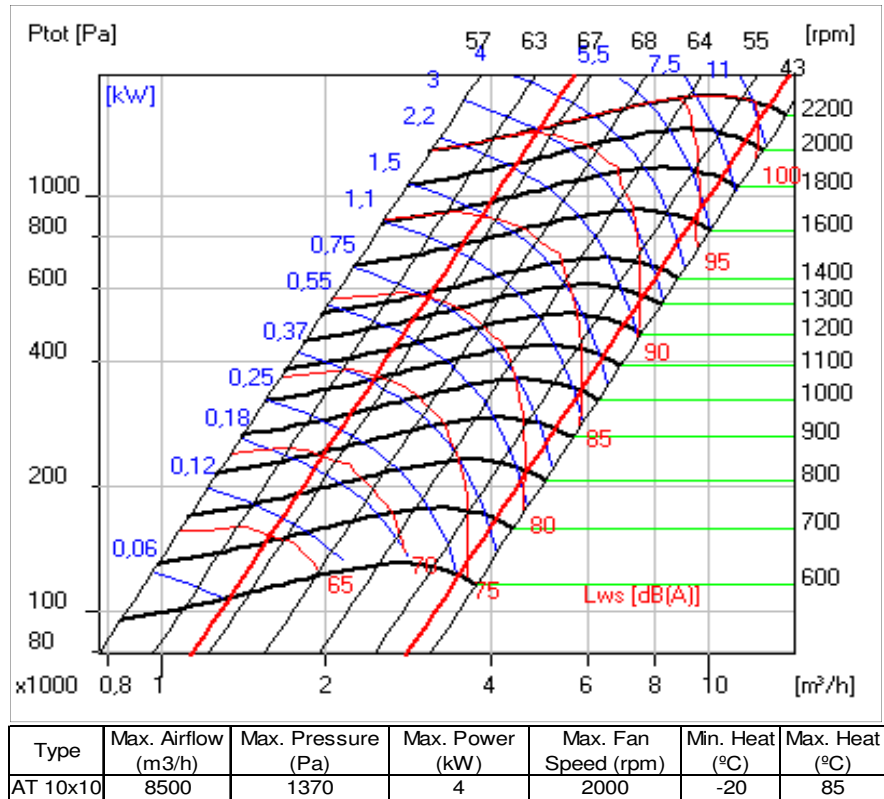


AT 9x9

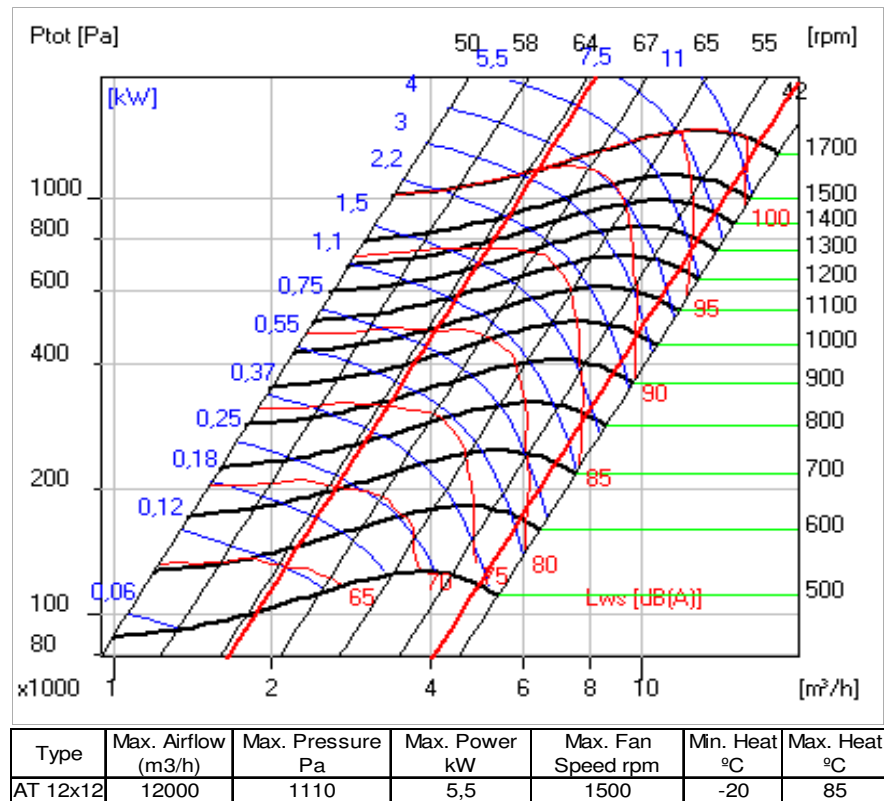


Series AT Performance Data

AT 10x10

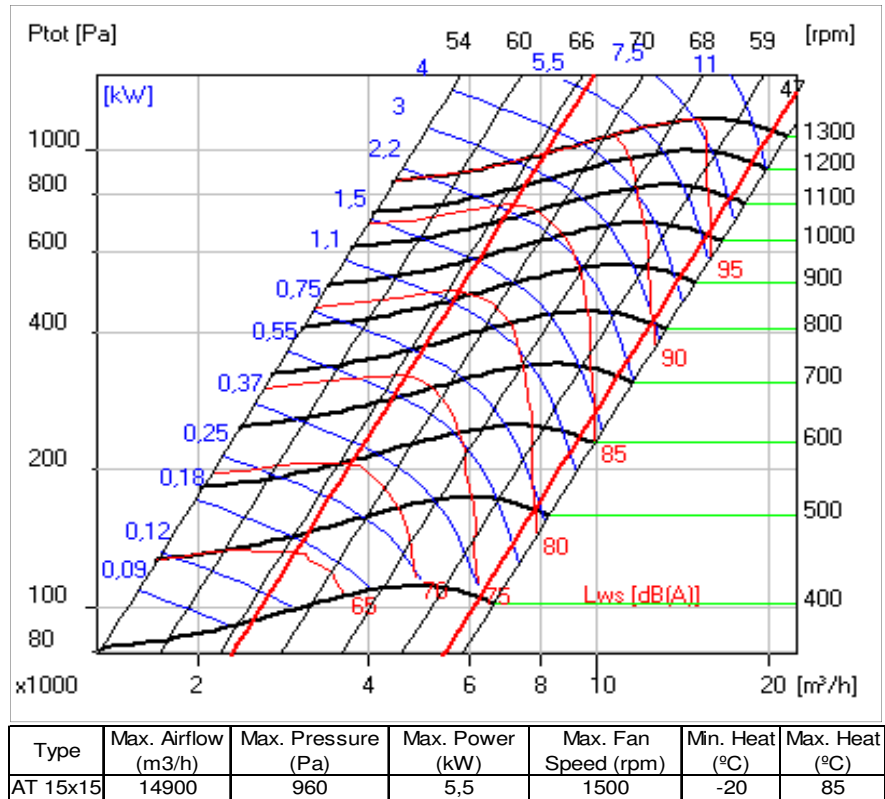


AT 12x12

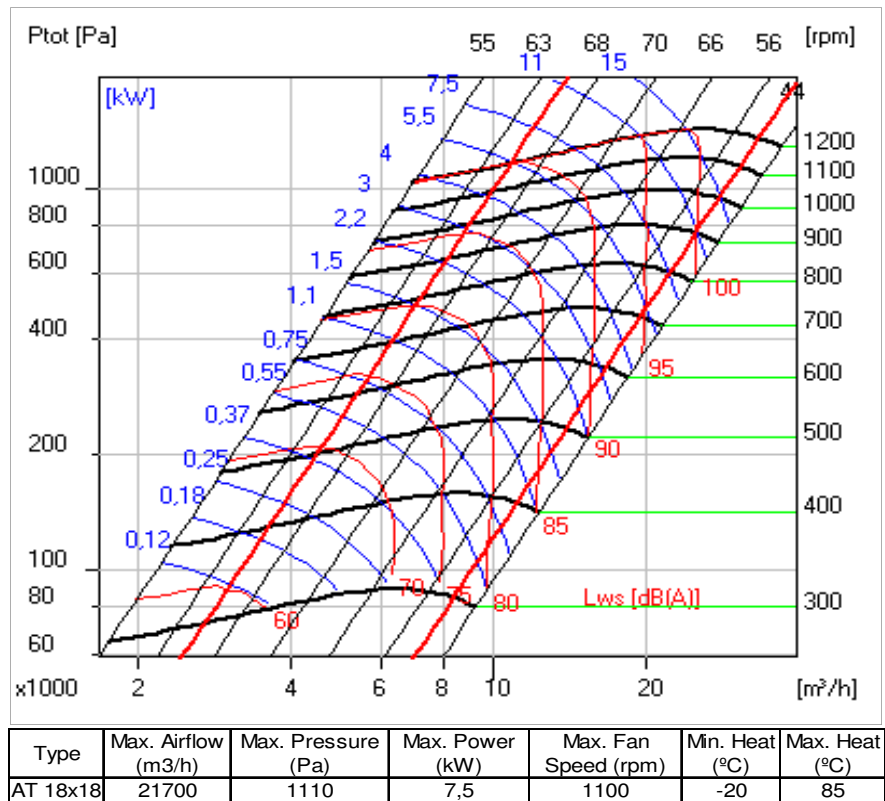


Series AT Performance Data

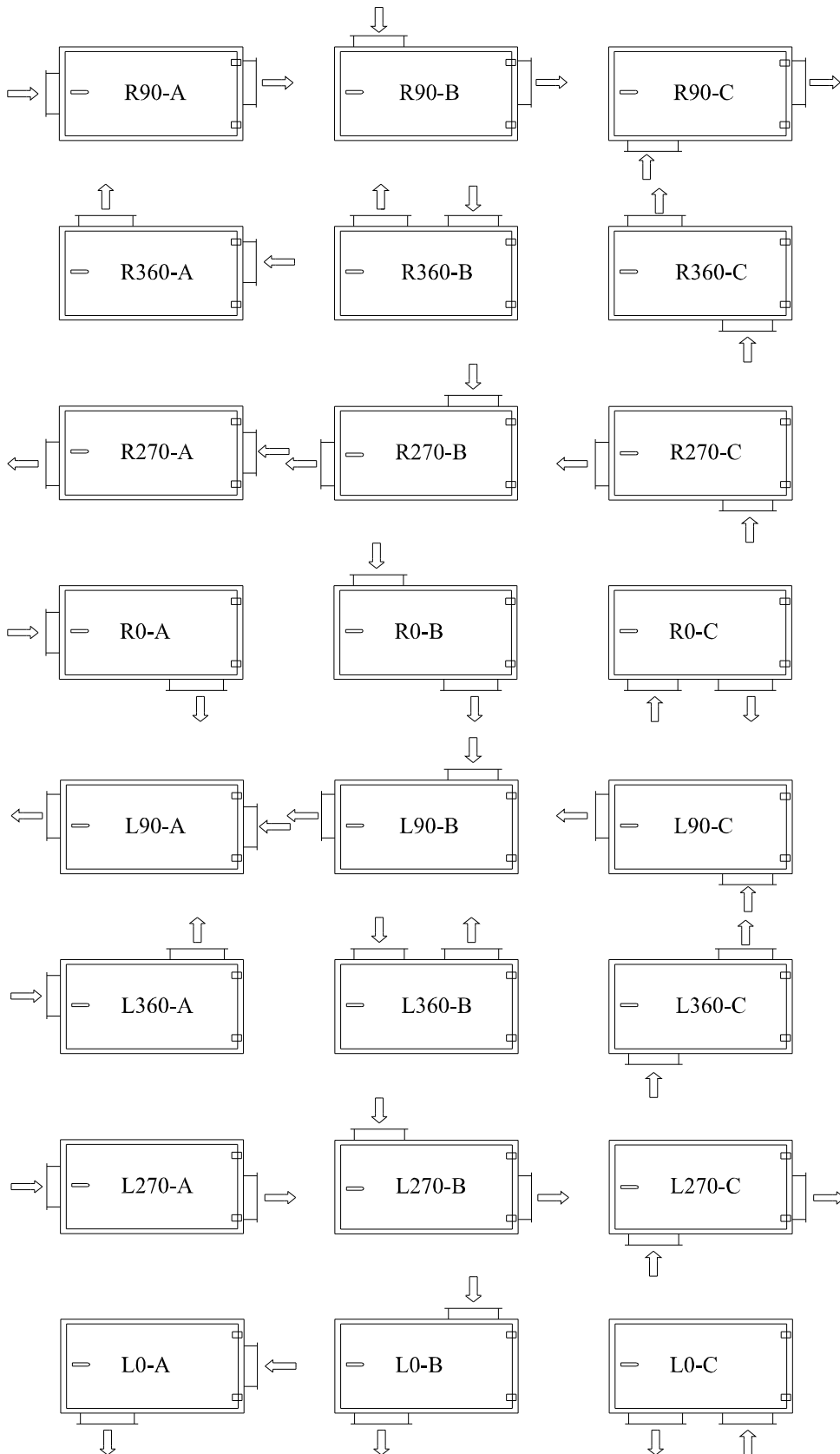
AT 15x15



AT 18x18



AHU Housing Positions





İNCİRCİOĞLU
VANTİLATÖR, KLİMA İMALAT SAN. VE TİC. LTD. ŞTİ.

Head Office : Çobançeşme Mahallesi, Sanayi Caddesi
Genç Osman Sokak, No.16
Yenibosna / İstanbul / Türkiye
☎ : (0212) 551 1112
Fax : (0212) 654 2776

Factory : Aşağı Sevindikli Köy Yolu Üzeri
Muratlı / Tekirdağ / Türkiye
☎ : (0282) 373 7088
Fax : (0282) 373 7087

www.incircioglu.com
info@incircioglu.com



ISO 9001:2008

